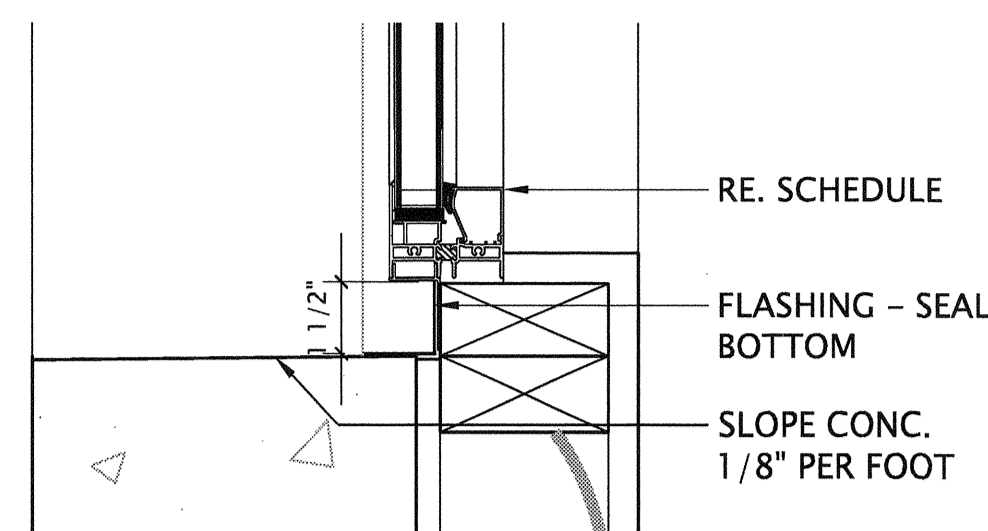
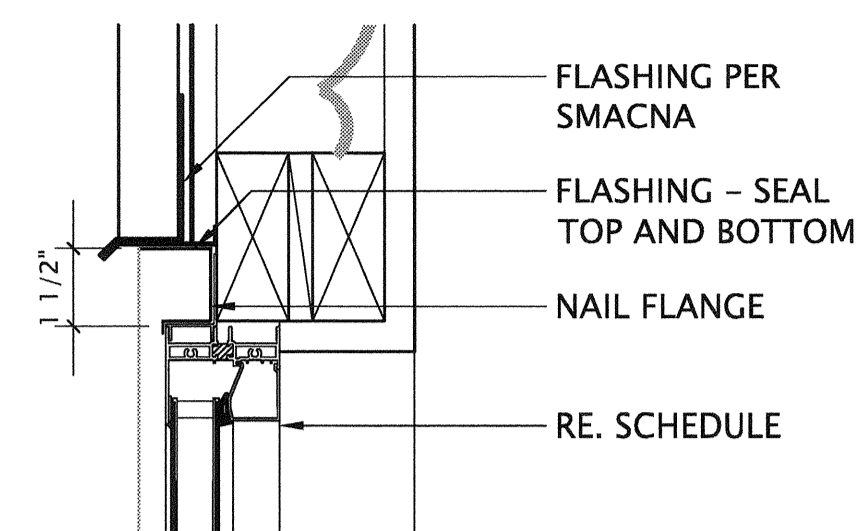


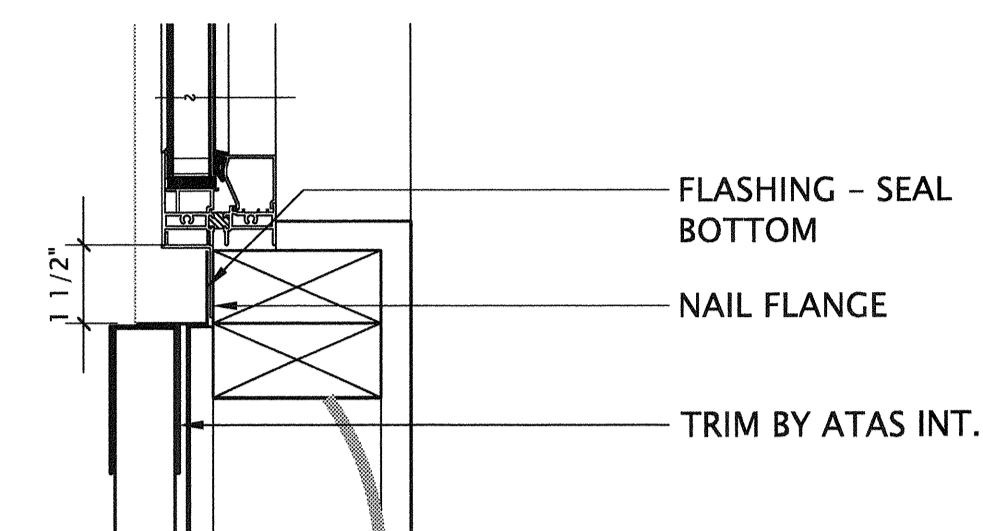
E1 WINDOW HEAD/JAM CONC.
SCALE: 3" = 1'-0"



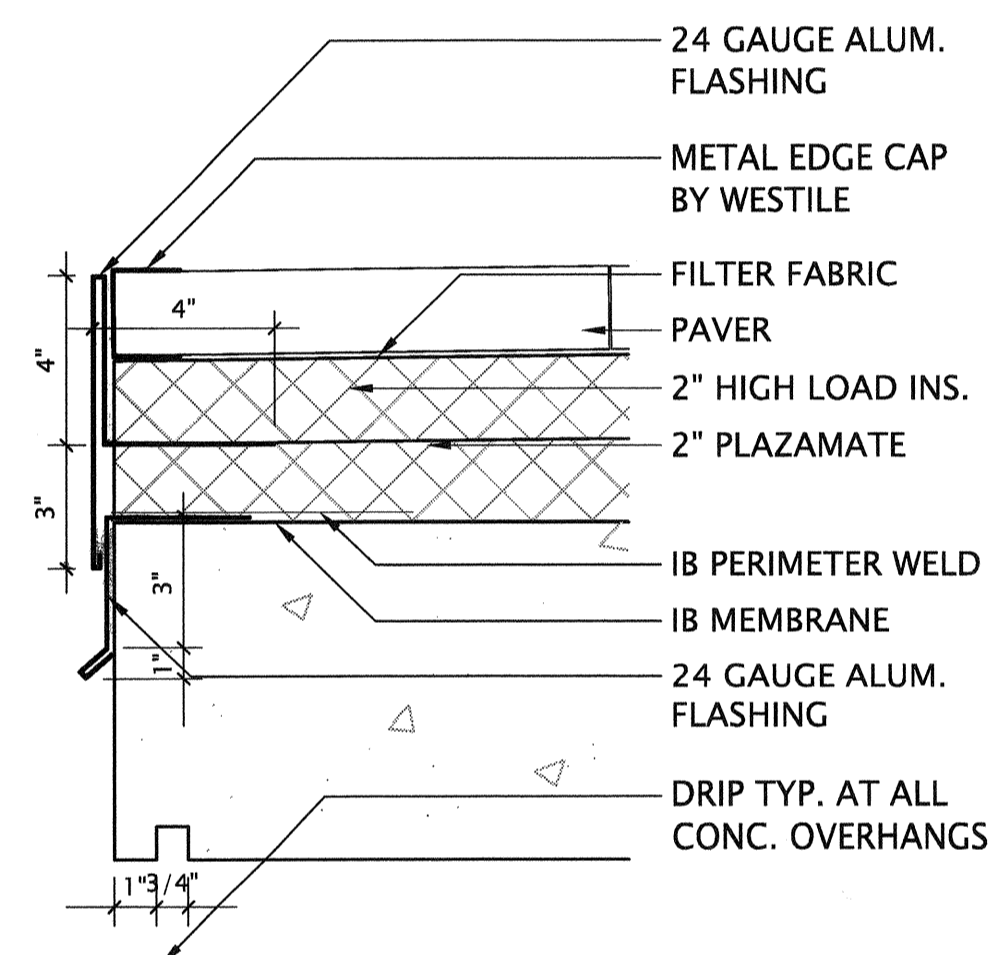
E3 WINDOW SILL CONC.
SCALE: 3" = 1'-0"



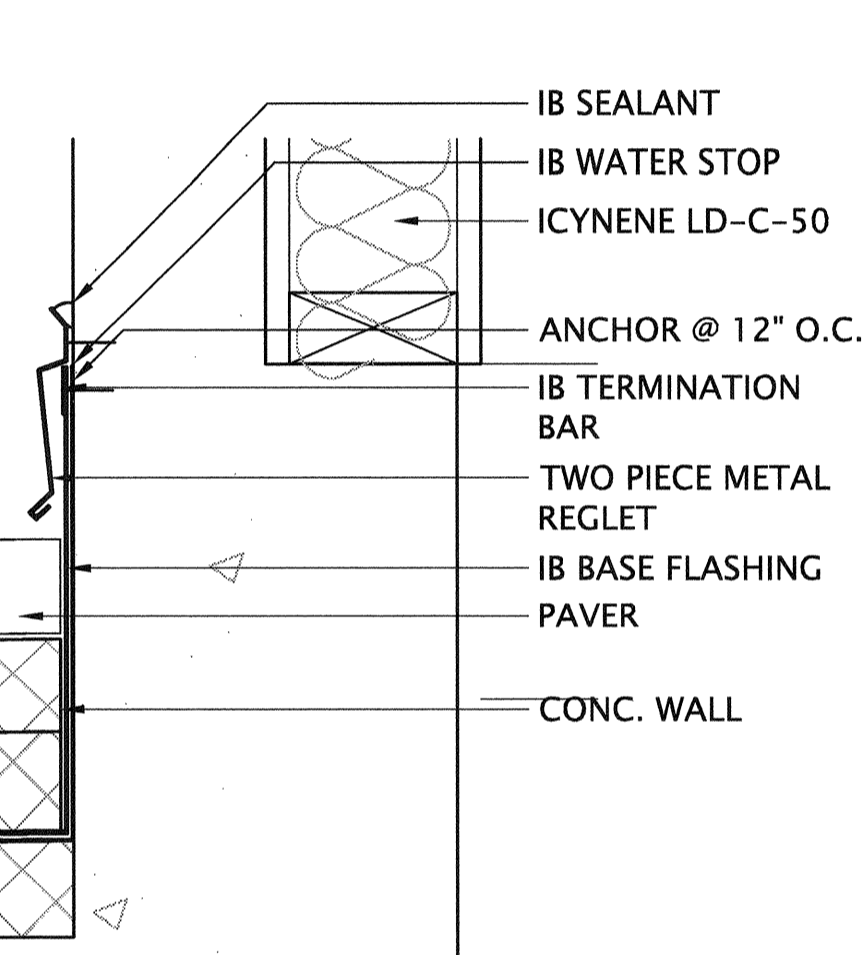
E5 WINDOW HEAD/JAM
SCALE: 3" = 1'-0"



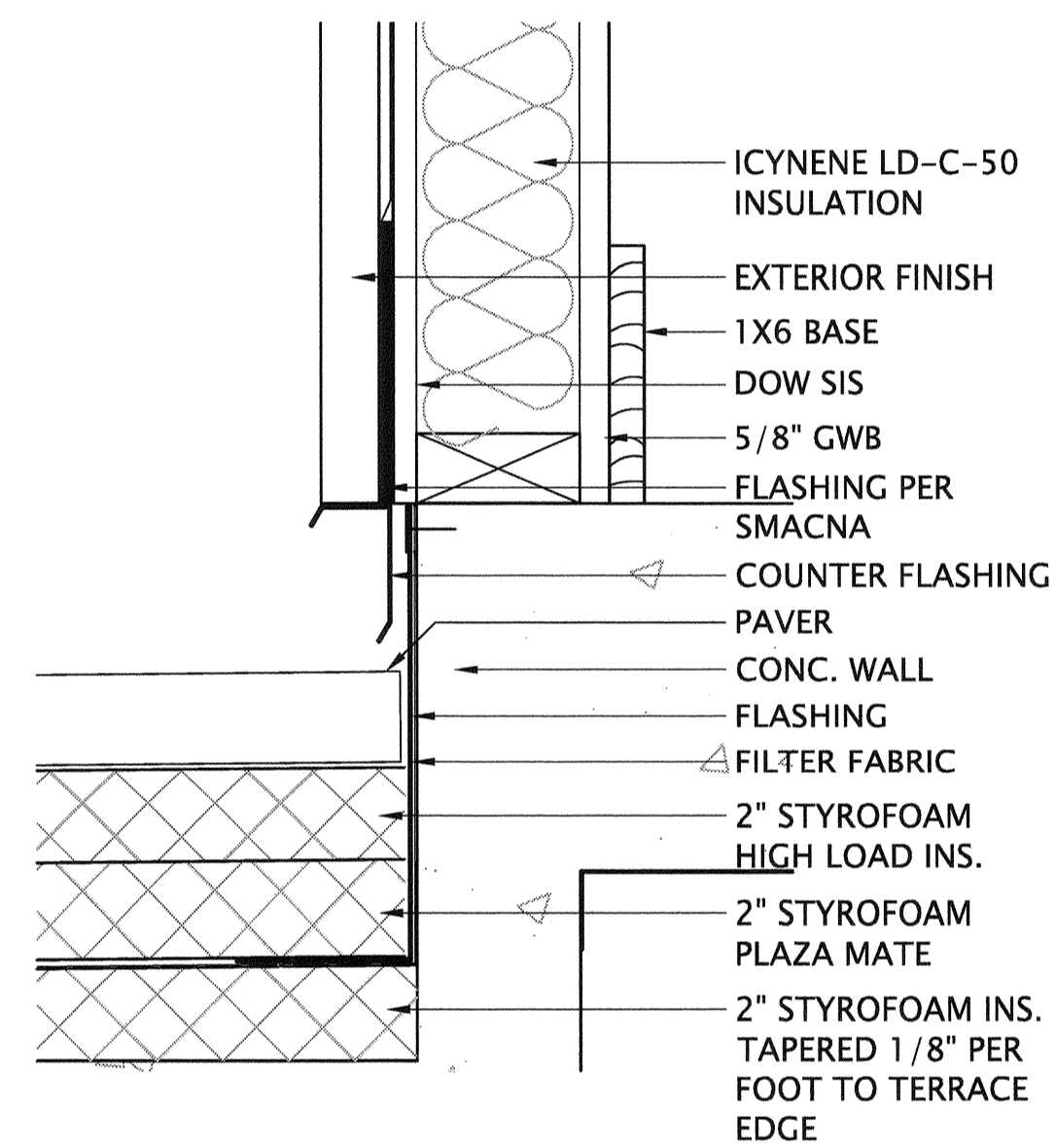
E7 WINDOW SILL
SCALE: 3" = 1'-0"



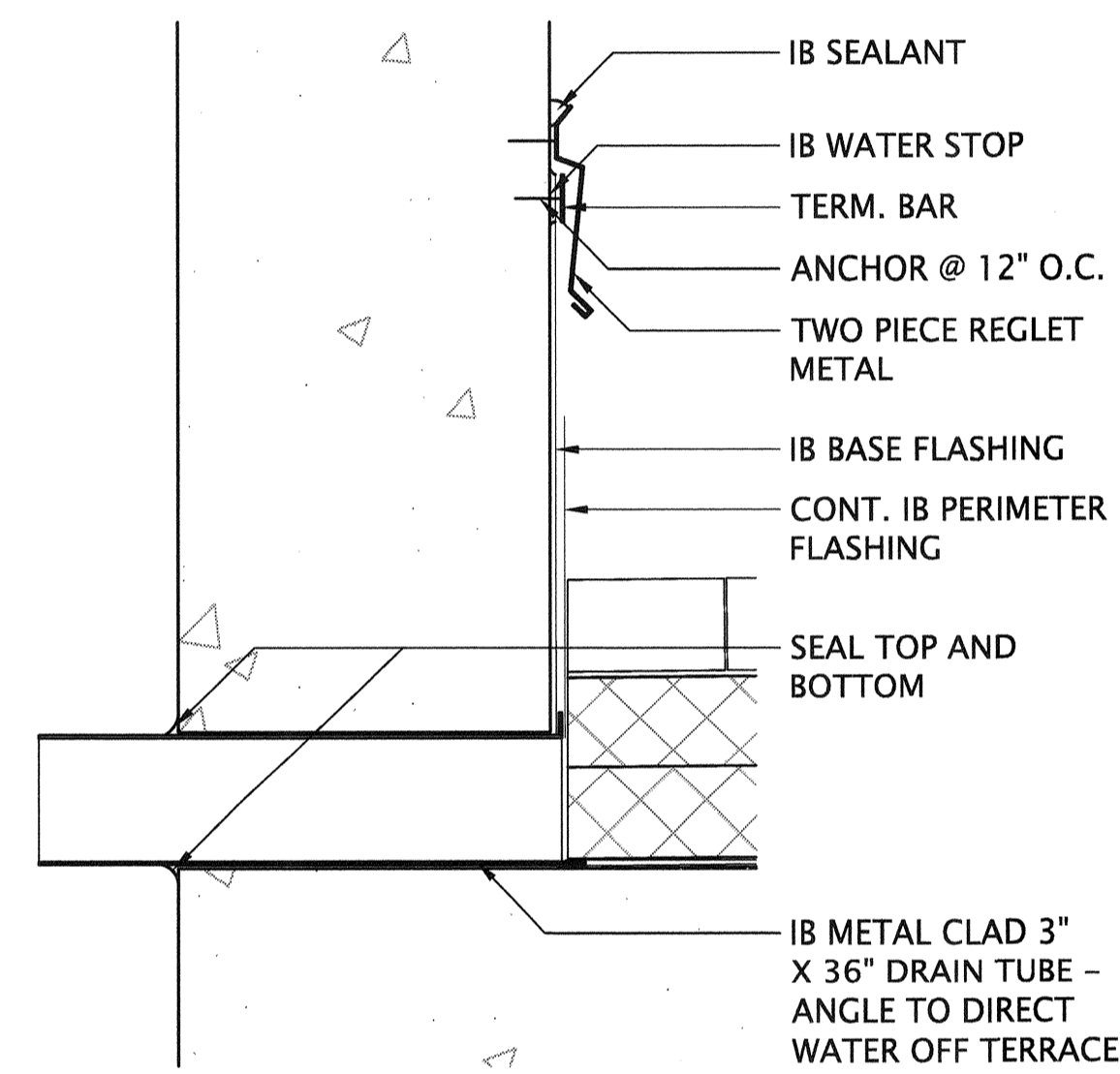
C1 TYPICAL TERRACE EDGE
SCALE: 3" = 1'-0"



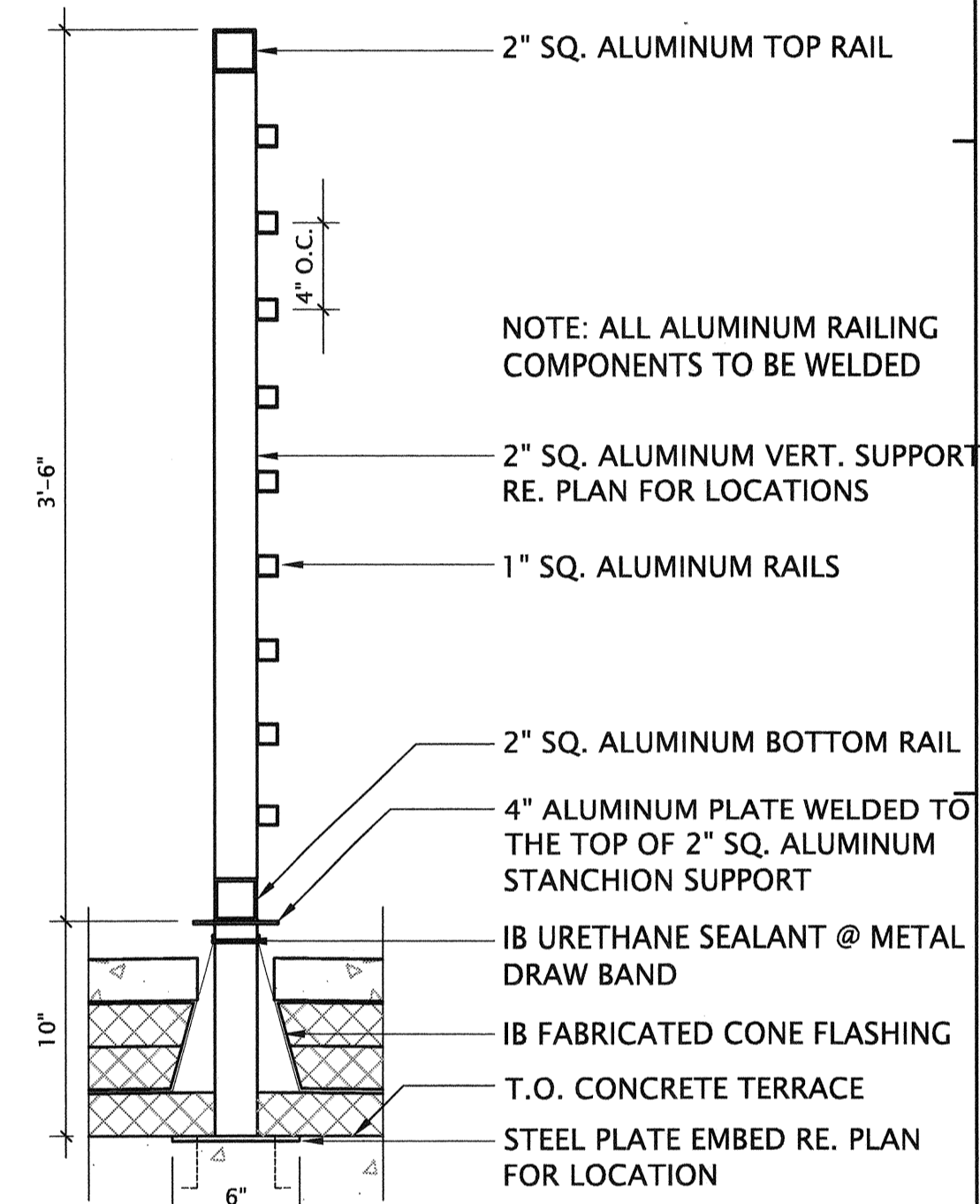
C3 CONC. WALL AT TERRACE
SCALE: 3" = 1'-0"



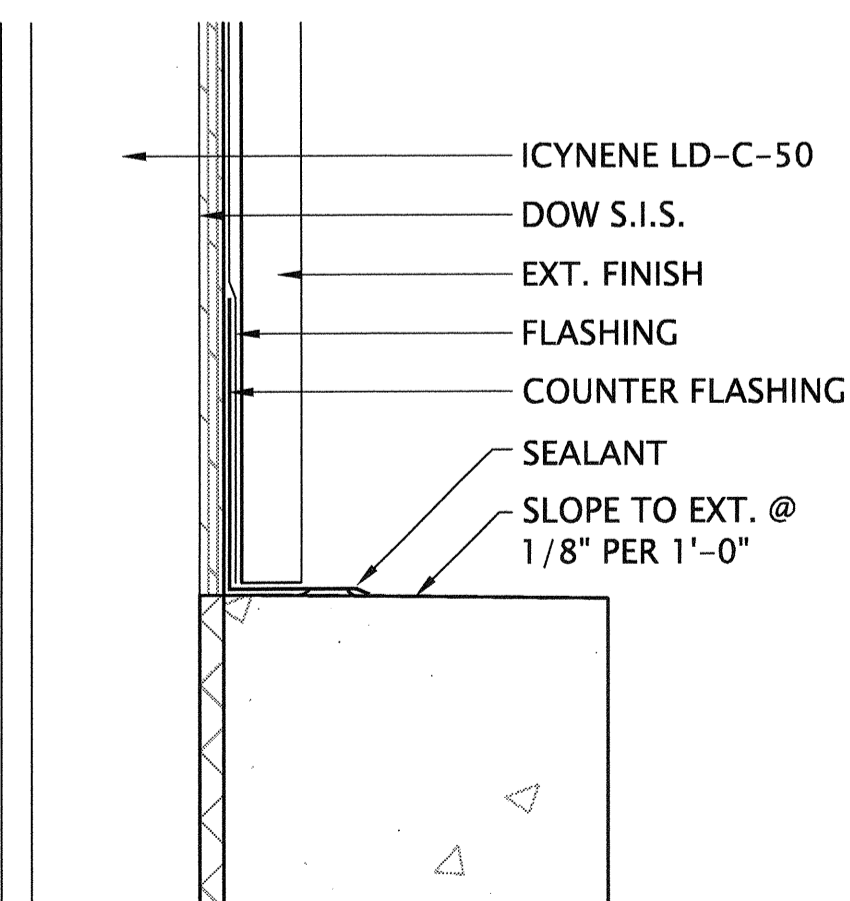
C5 WALL AT TERRACE
SCALE: 3" = 1'-0"



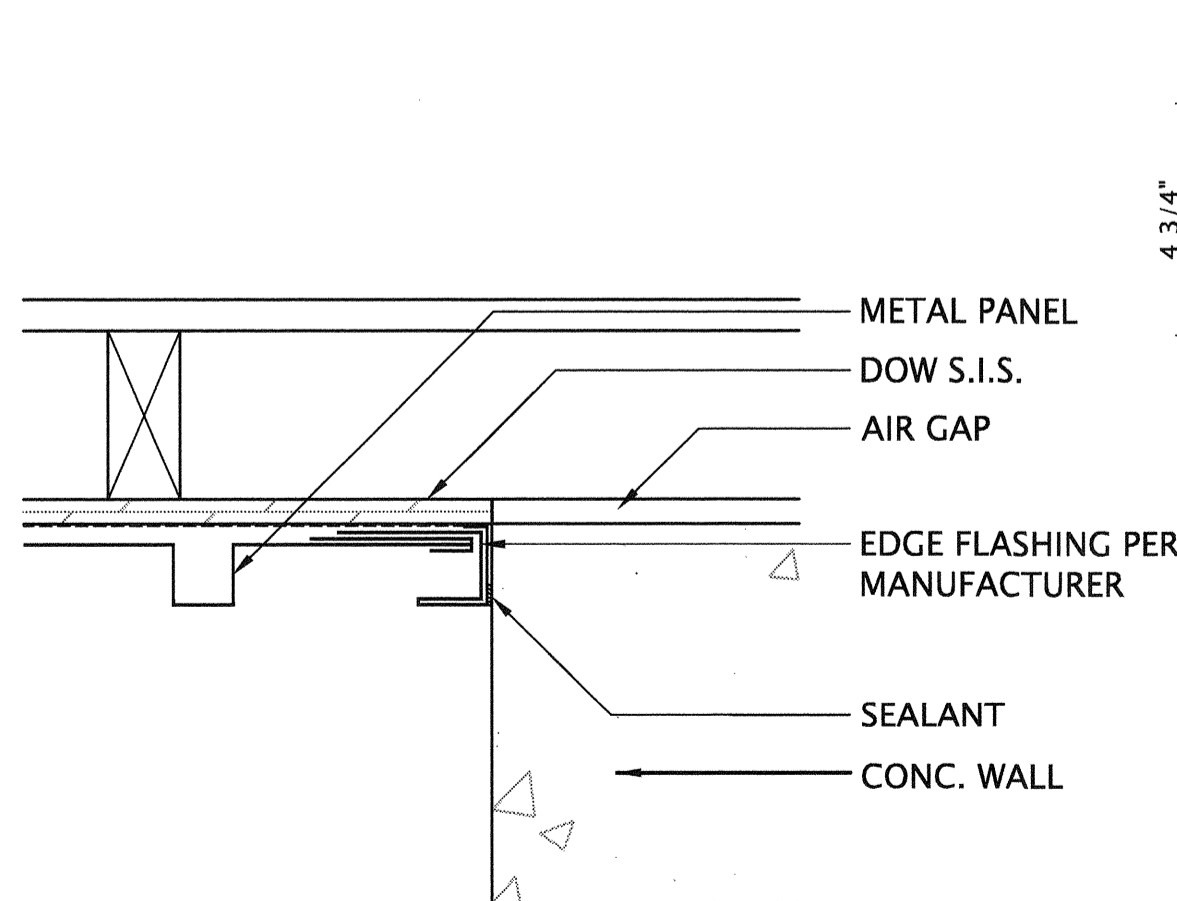
C7 SCUPPER @ PARAPET
SCALE: 3" = 1'-0"



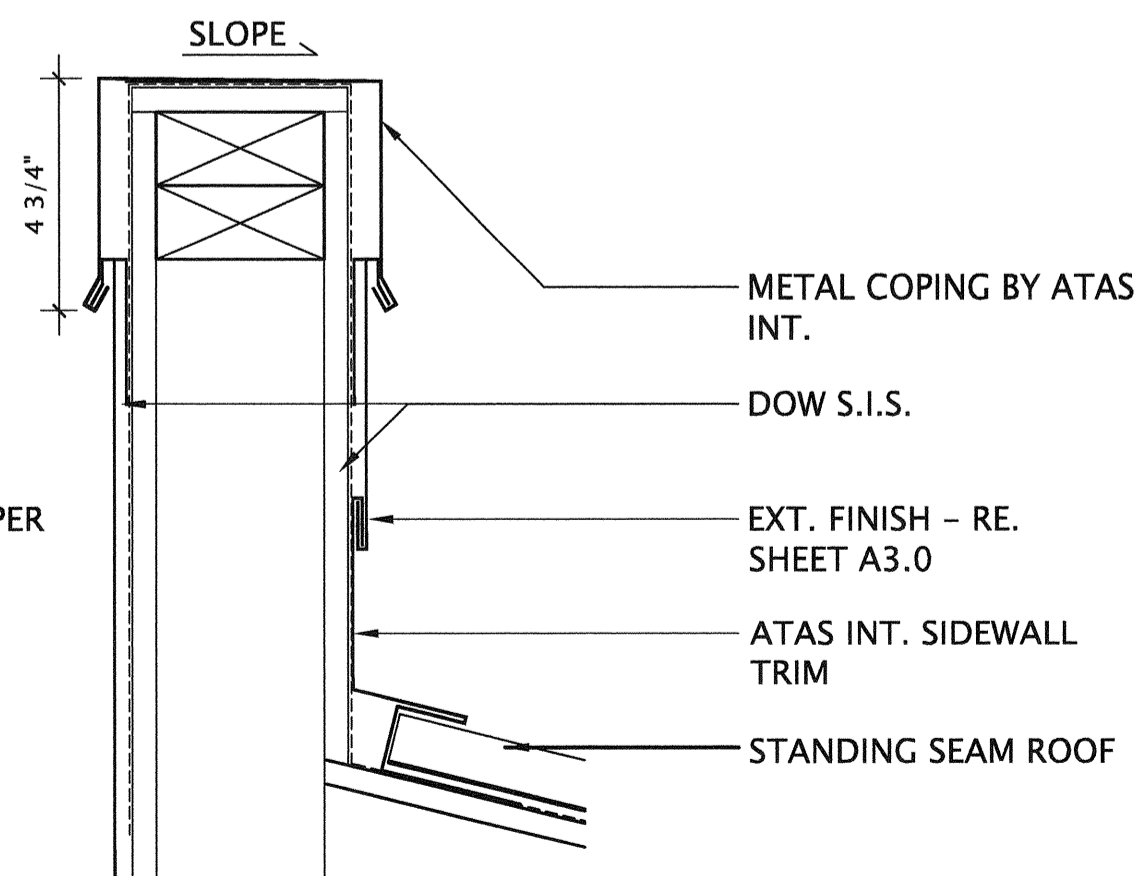
C9 RAILING DETAIL
SCALE: 3" = 1'-0"



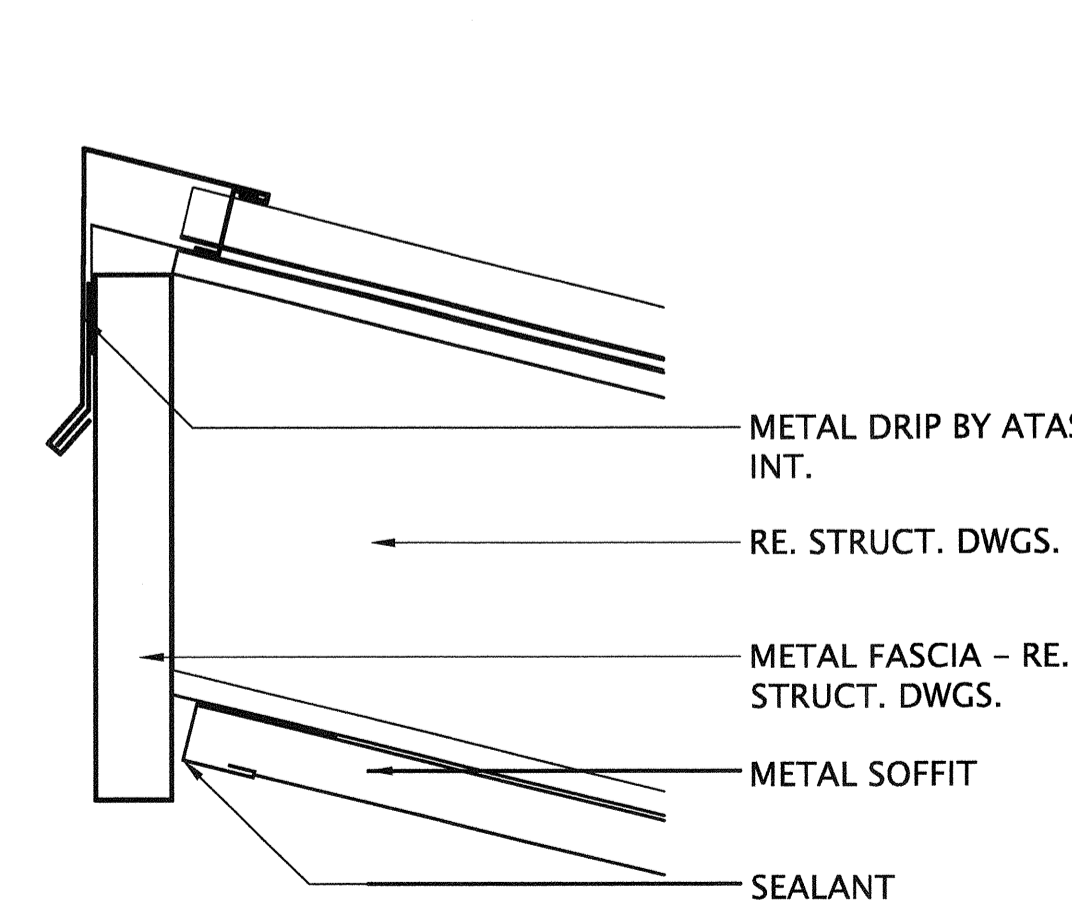
A1 EXT. SIDING/CONCR.
SCALE: 3" = 1'-0"



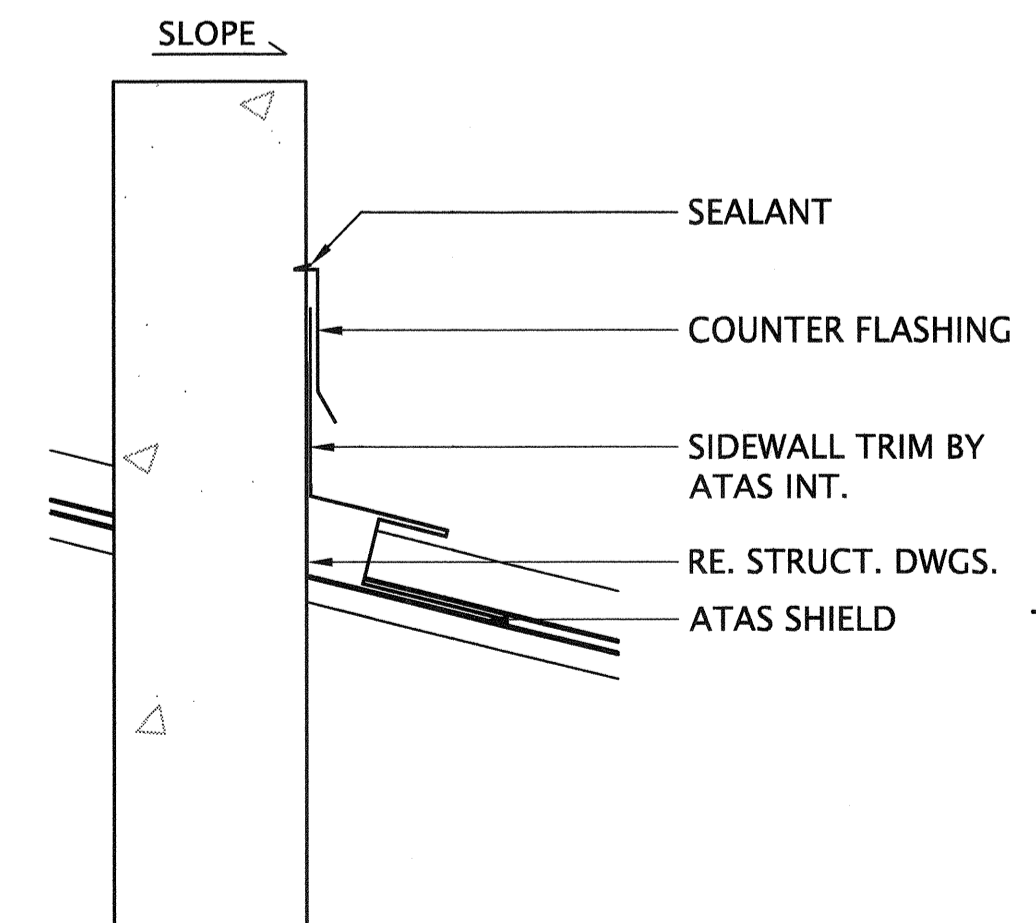
A3 METAL PANEL/CONC.
SCALE: 3" = 1'-0"



A5 FRAMED PARAPET AT ROOF
SCALE: 3" = 1'-0"



A7 FASCIA DETAIL
SCALE: 3" = 1'-0"



A9 CONC. PARAPET @ ROOF
SCALE: 3" = 1'-0"

northfield design associates, Inc.

1601 E. 5TH ST, STE 109 AUSTIN, TX 78702
512/302-1458 v nda@nda-austin.com
512/302-1482 f

WEINMAN/SCHNEIER RESIDENCE
1106 LOTT AVENUE
AUSTIN, TEXAS
L. WEINMAN/R. SCHNEIER
NDA PROJECT # 2008-01
A6.0 DETAILS

DATE OF AFFIRMATION: 04/12/14

THESE DRAWINGS AND THEIR CONTENTS REMAIN THE PROPERTY OF NORTHFIELD DESIGN ASSOC. INC. AND MAY NOT BE USED FOR ANY PURPOSE EXCEPT THE CONSTRUCTION OF THE PROPERTY DESCRIBED HEREIN WITHOUT WRITTEN CONSENT FROM NORTHFIELD DESIGN ASSOCIATES, INC. ELECTRONIC COPIES OF DRAWINGS ARE ISSUED TO CONSULTANTS FOR COORDINATION ONLY. ARCHITECT ASSUMES NO RESPONSIBILITY FOR DRAWINGS WHEN USED OR MODIFIED BY OTHERS.