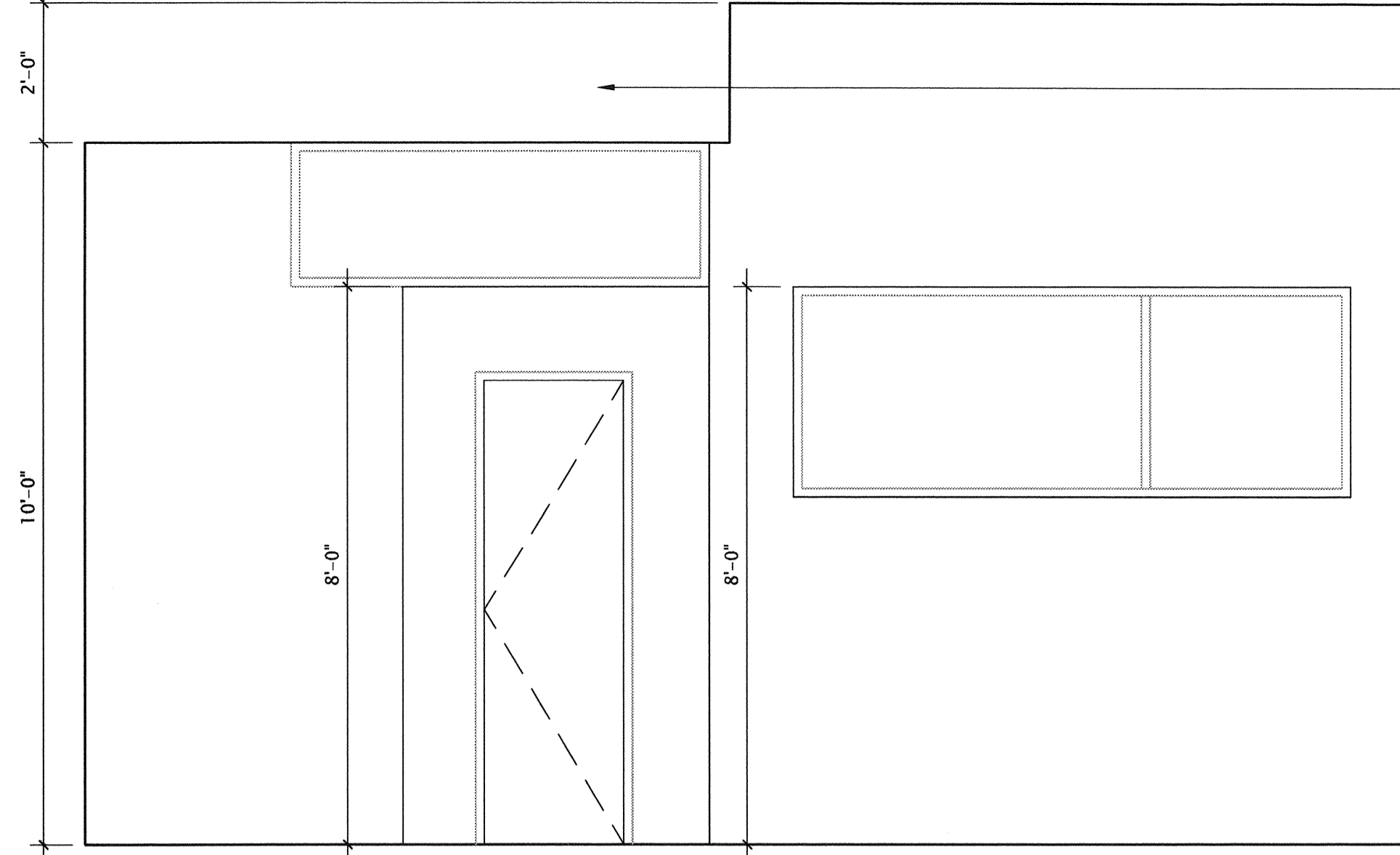
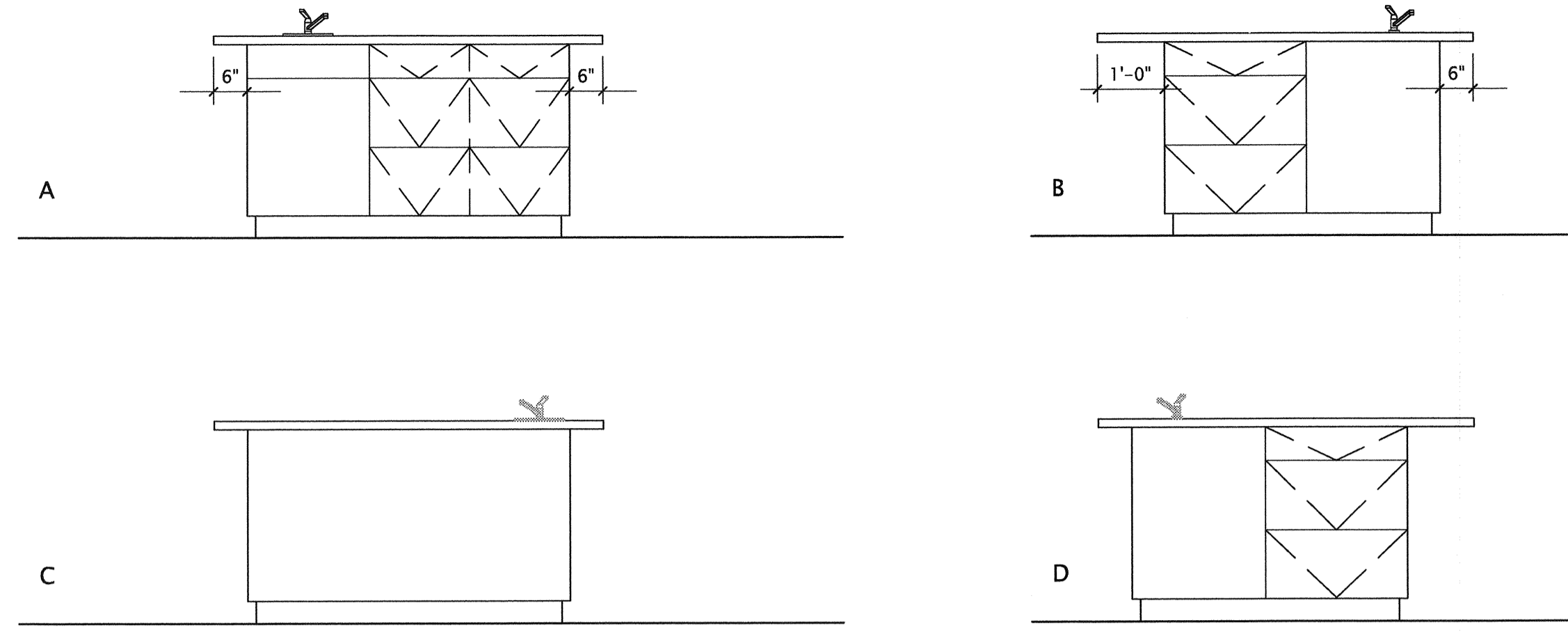


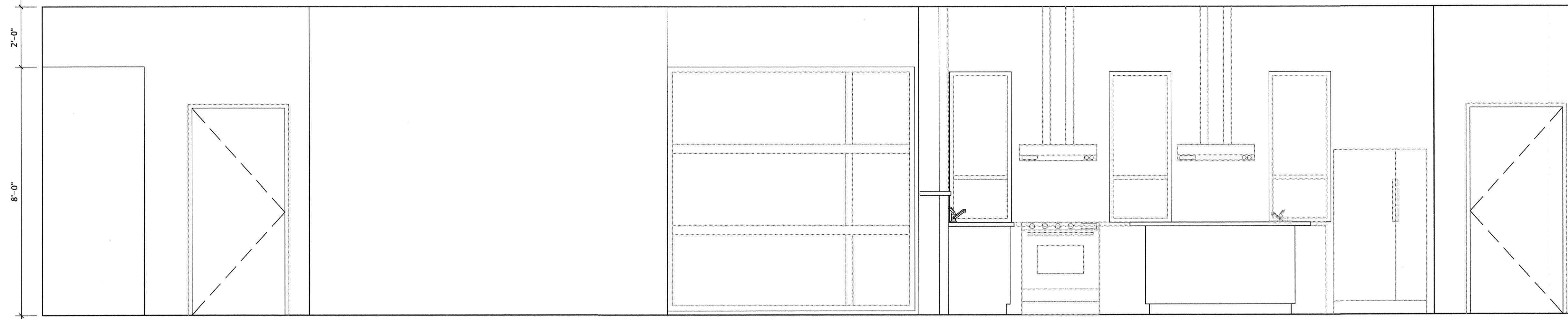
E1 ENTRY/DINING
SCALE: 1/2" = 1'-0"



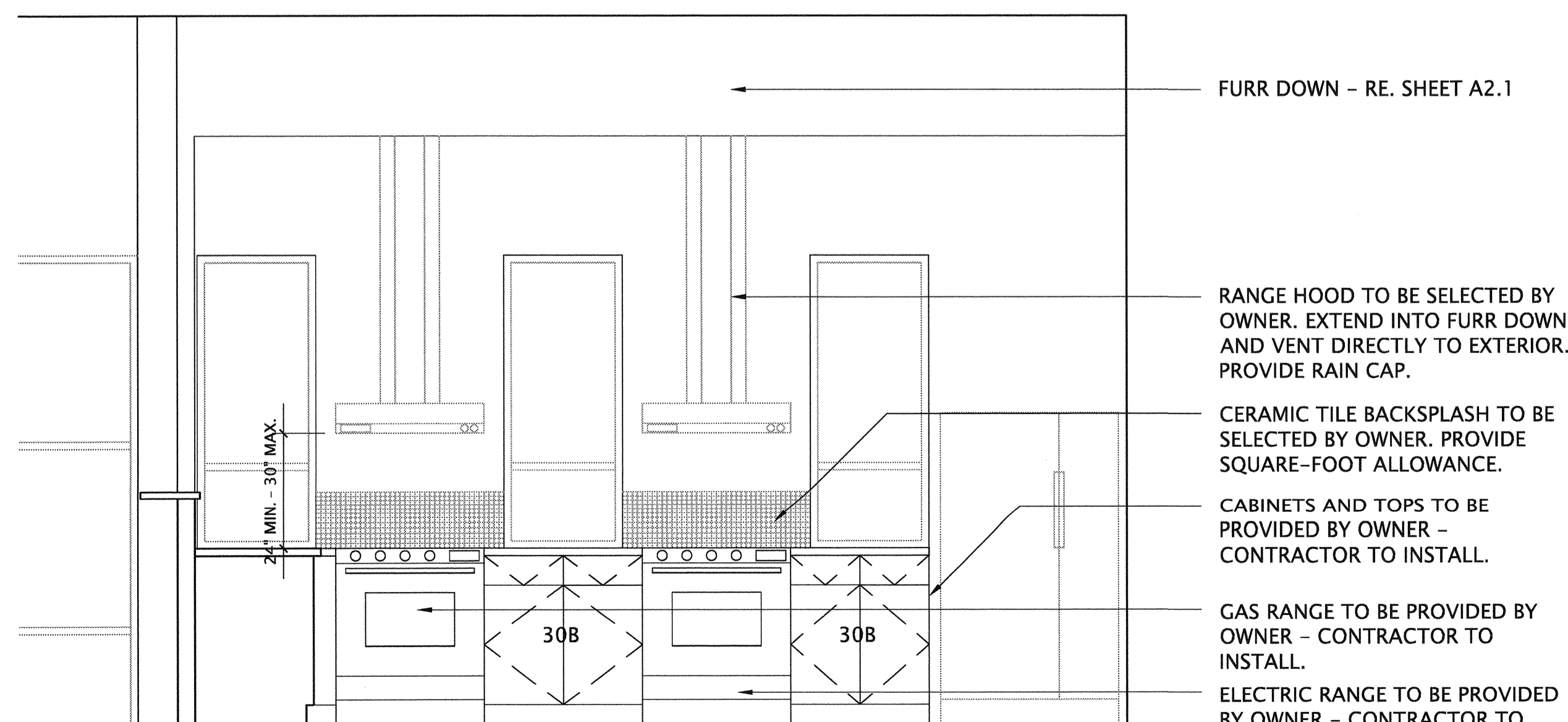
E6 KITCHEN ISLAND
SCALE: 1/2" = 1'-0"



C1 ENTRY/DINING/KITCHEN
SCALE: 1/2" = 1'-0"

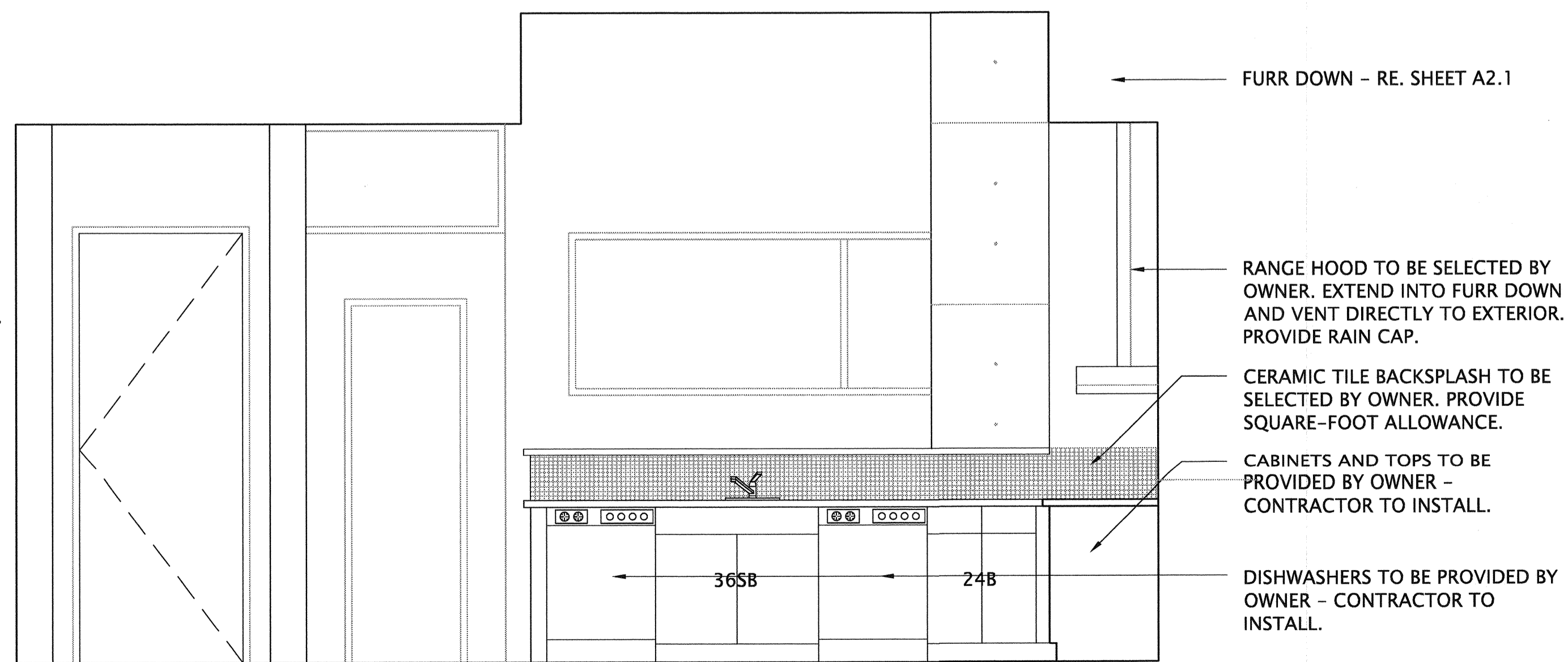


A1 KITCHEN
SCALE: 1/2" = 1'-0"



- RANGE HOOD TO BE SELECTED BY OWNER. EXTEND INTO FURR DOWN AND VENT DIRECTLY TO EXTERIOR. PROVIDE RAIN CAP.
- CERAMIC TILE BACKSPLASH TO BE SELECTED BY OWNER. PROVIDE SQUARE-FOOT ALLOWANCE.
- CABINETS AND TOPS TO BE PROVIDED BY OWNER - CONTRACTOR TO INSTALL.
- GAS RANGE TO BE PROVIDED BY OWNER - CONTRACTOR TO INSTALL.
- ELECTRIC RANGE TO BE PROVIDED BY OWNER - CONTRACTOR TO INSTALL.

A6 KITCHEN
SCALE: 1/2" = 1'-0"

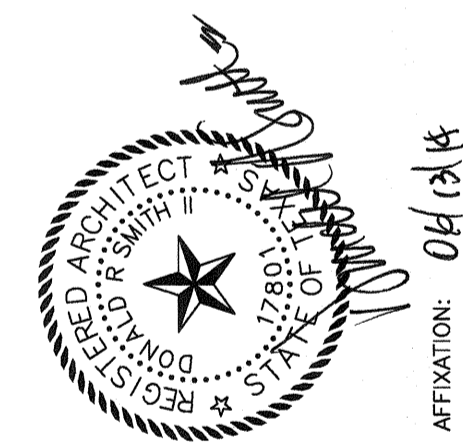


- RANGE HOOD TO BE SELECTED BY OWNER. EXTEND INTO FURR DOWN AND VENT DIRECTLY TO EXTERIOR. PROVIDE RAIN CAP.
- CERAMIC TILE BACKSPLASH TO BE SELECTED BY OWNER. PROVIDE SQUARE-FOOT ALLOWANCE.
- CABINETS AND TOPS TO BE PROVIDED BY OWNER - CONTRACTOR TO INSTALL.
- DISHWASHERS TO BE PROVIDED BY OWNER - CONTRACTOR TO INSTALL.

northfield design associates, Inc.
 1601 E. 5TH ST, STE 109 AUSTIN, TX 78702
 512/302-1458 v nda@nda-austin.com
 512/302-1482 f

THESE DRAWINGS AND THEIR CONTENTS REMAIN THE PROPERTY OF NORTHFIELD DESIGN ASSOCIATES, INC. AND MAY NOT BE USED FOR ANY PURPOSE EXCEPT THE CONSTRUCTION OF THE PROPERTY DESCRIBED HEREIN WITHOUT WRITTEN CONSENT FROM NORTHFIELD DESIGN ASSOCIATES, INC. ELECTRONIC COPIES OF DRAWINGS ARE ISSUED TO CONSULTANTS FOR COORDINATION ONLY. ARCHITECT ASSUMES NO RESPONSIBILITY FOR DRAWINGS WHEN USED OR MODIFIED BY OTHERS.

Issue Date Description



WEINMAN/SCHNEIER RESIDENCE
 1106 LOTT AVENUE
 AUSTIN, TEXAS
 L. WEINMAN/R. SCHNEIER
 NDA PROJECT # 2008-01
 A4.0 INTERIOR ELEVATIONS